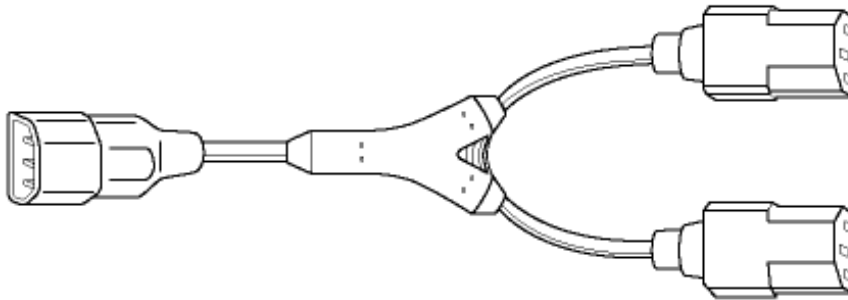




VOLEX

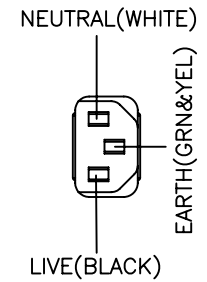
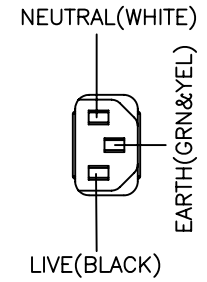
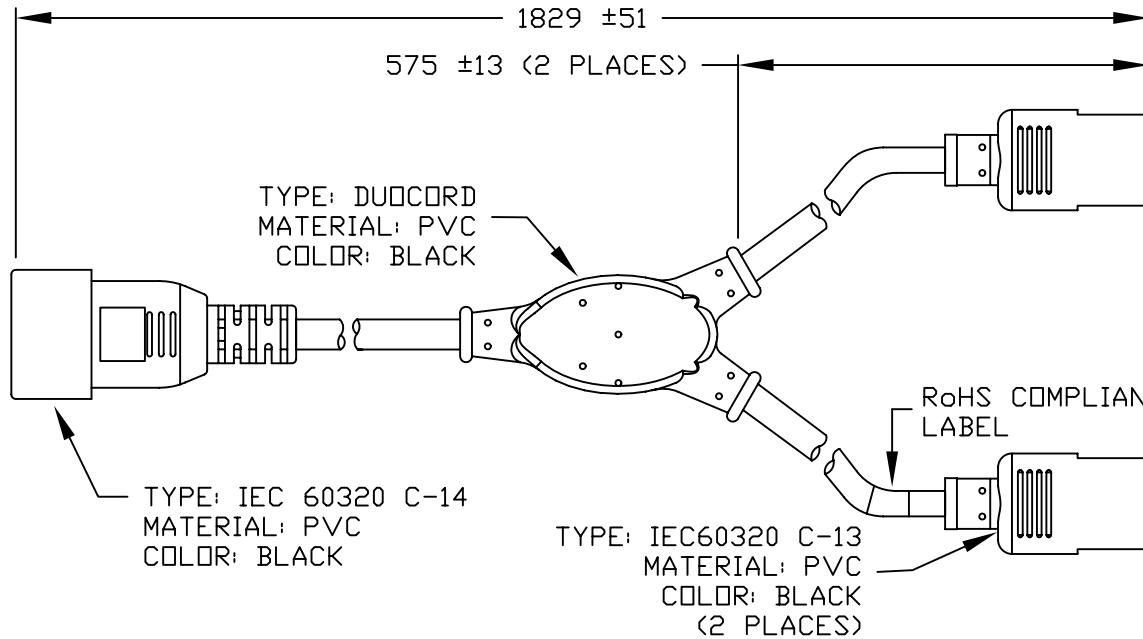
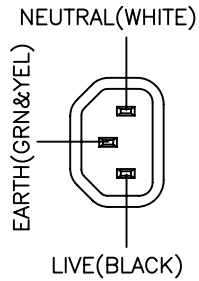
GROUP

Standard Cord Details: 17270A 10 B1



Specifications

Certifications	
Part Number	17270A 10 B1
Connector Type	C13
Plug Type	C14
Category	Plastic
Application	Y Cord
Plug Catalog No.	
Connector Catalog No.	
Cable	SJT AWG 16x3
Jacket Color	Black
Length in Feet	6' 2' legs
Length in Meters	1.8 Meters Overall Length
Temperature Rating	60 C
Packaging Units Per Carton	25
Color Coding	North America
Nominal OD in Inches	0.34
Nominal OD in Millimeters	8



VOLEX RESERVES THE RIGHT TO ALTER NON-CRITICAL DIMENSIONS WITHOUT NOTICE.

PACKAGING: BULK (NO HANK OR COIL)

NOTES:

- 1) CORDAGE: 16/3 SJT, 60°C, BLACK, LEAD FREE
- 2) APPROVALS:
- 3) RATING: 13 AMPS/250 VOLTS
- 4) FLAME RATING : FT2
- 5) PACKAGING: 50 PIECES/CARTON
- 6) ALL DIMENSIONS IN MILLIMETERS.

REV	DESCRIPTION	DATE
1	C.U.D - NEW RELEASE	8/30/07



FORM IN71-07 REV.A

- Indianapolis, IN
- Conover, N.C.
- Freemont, CA
- Aguascalientes, MX
- Tijuana, Mexico
- Hermosillo, MX
- Clinton, AR
- Kanata, Canada

Proprietary Notice:

This document is the property of Volex Incorporated. The information contained herein is not to be disclosed to anyone without the express written consent of Volex Inc.

MATERIAL:
PLUG: PVC, BLACK
JACKET: PVC, BLK, LEAD FREE

FINISH:
JACKET: SMOOTH

SCALE:
NOT TO SCALE

ECD:
N/A

ITEM DESCRIPTION
CORDSET - NORTH AMERICAN
DETACHABLE POWER SUPPLY CORD (6')

TOLERANCE UNLESS OTHERWISE SPECIFIED
.XXX ± .005
.XX ± .02
.X ± .03
FRACT. ± 1/32
ANGULAR ± 1/2°

APPROVED STC	DRAWN BY STC	DATE: 8/30/07
-----------------	-----------------	------------------

PART NO.
17270A 10 B1